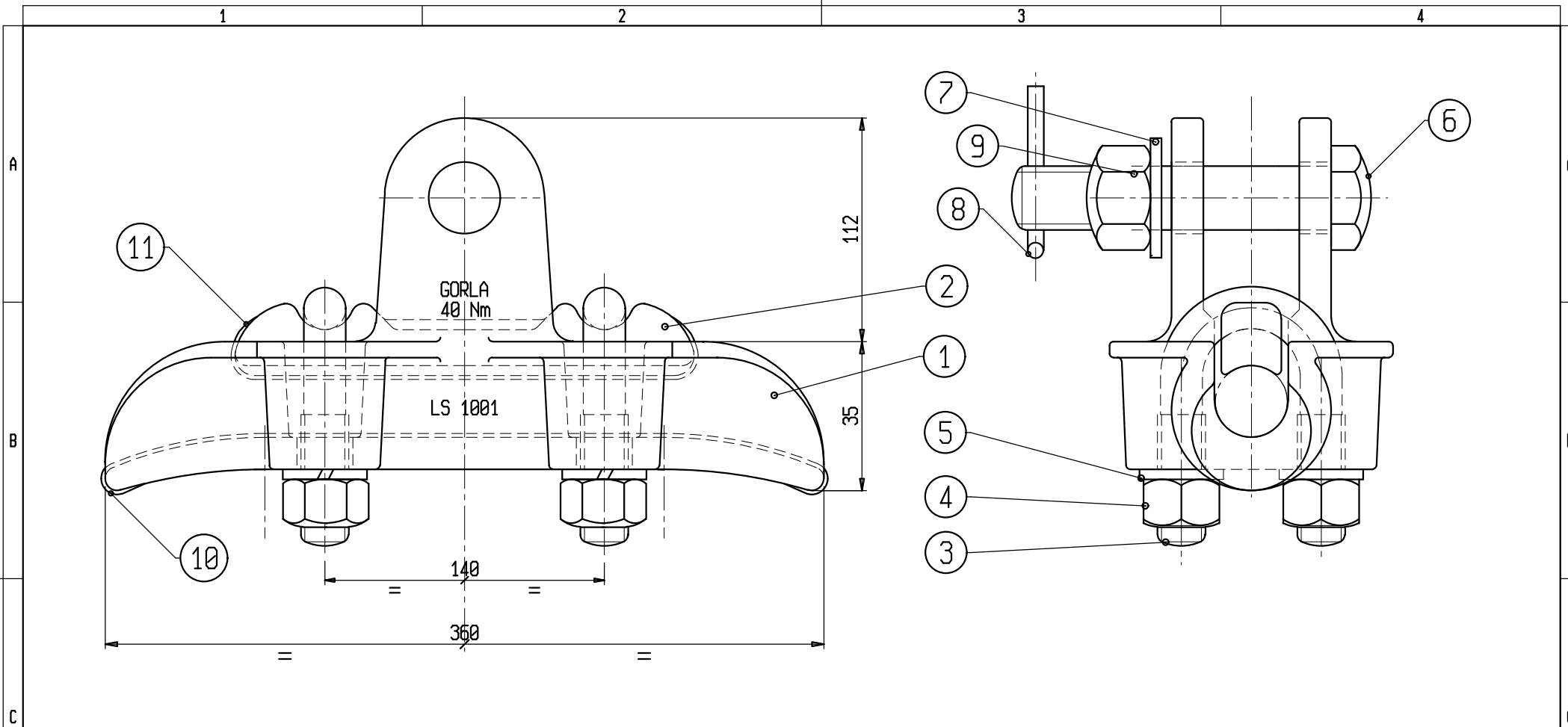


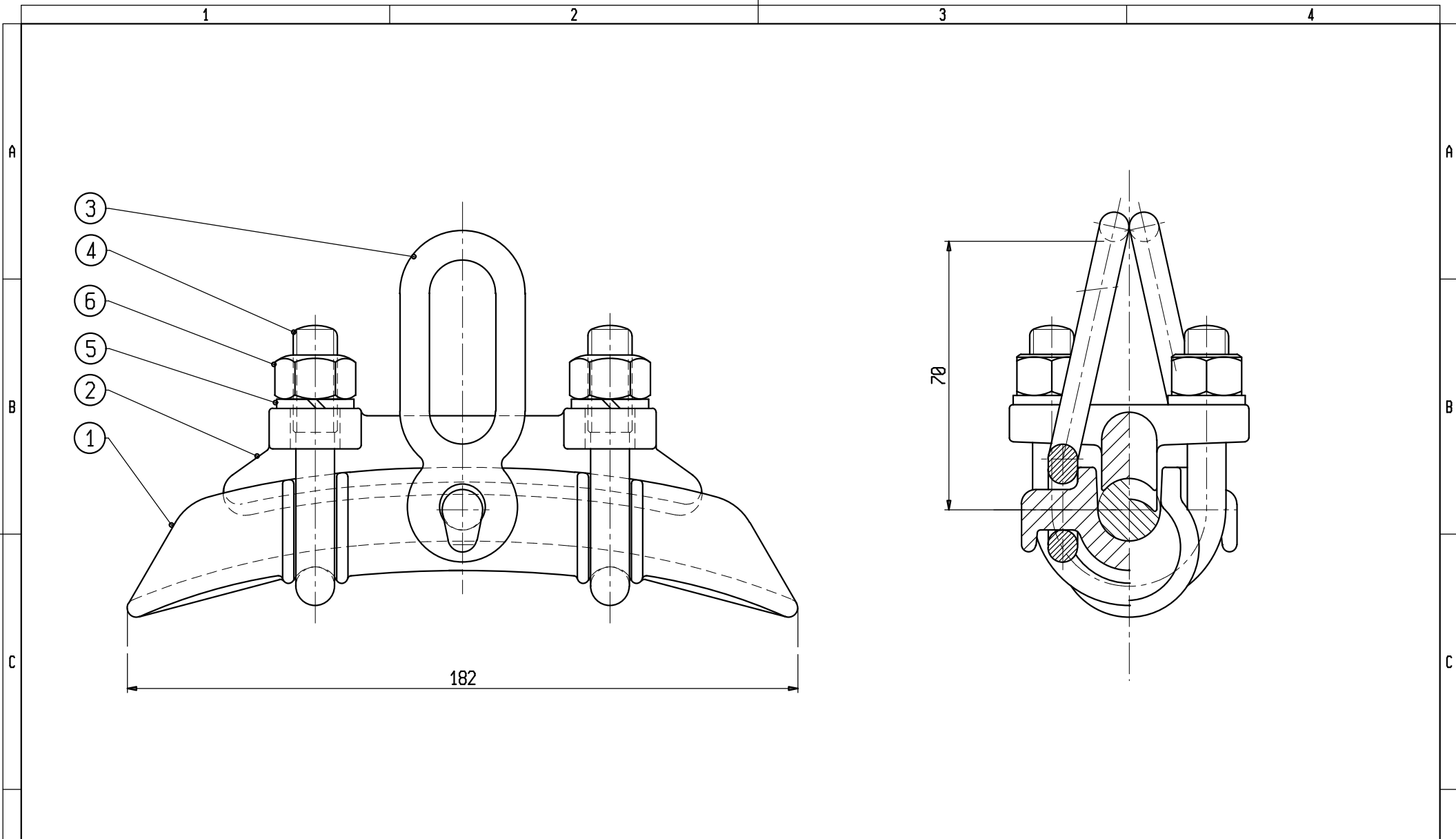
8	PIN A 4x25	791	1	STAINLESS STEEL	
7	WASHER 18x30	776	1	STEEL	HOT DIP GALV.D (ISO 1461)
6	PIN ø16x60	2692	1	STEEL	HOT DIP GALV.D (ISO 1461)
5	SPRING WASHER A 13	4430	4	STAINLESS STEEL	
4	HEX. NUT M12	3288	4	STAINLESS STEEL	
3	U-BOLT M12x65	3290	2	STEEL	HOT DIP GALV.D (ISO 1461)
2	KEEPER	LS 2897	1	STEEL	HOT DIP GALV.D (ISO 1461)
1	SUSPENSION CLAMP	LS 1001 BIS	1	CAST IRON	HOT DIP GALV.D (ISO 1461)
ITEM	DESCRIPTION	DRAWING N°	N° PCS.	MATERIAL	NOTE

DATE	MODIFICATIONS	DRAWER	APPROVED
s.r.l. GORLA MORSETTERIE MILANO TECHNICAL OFFICE		SCALE	
		DRAWER	DATE
SUSPENSION CLAMP FOR Cu CONDUCTORS ø 9 - 18 mm R= 80 kN		APPROVED	DATE
		DRW. N. LS 1001	



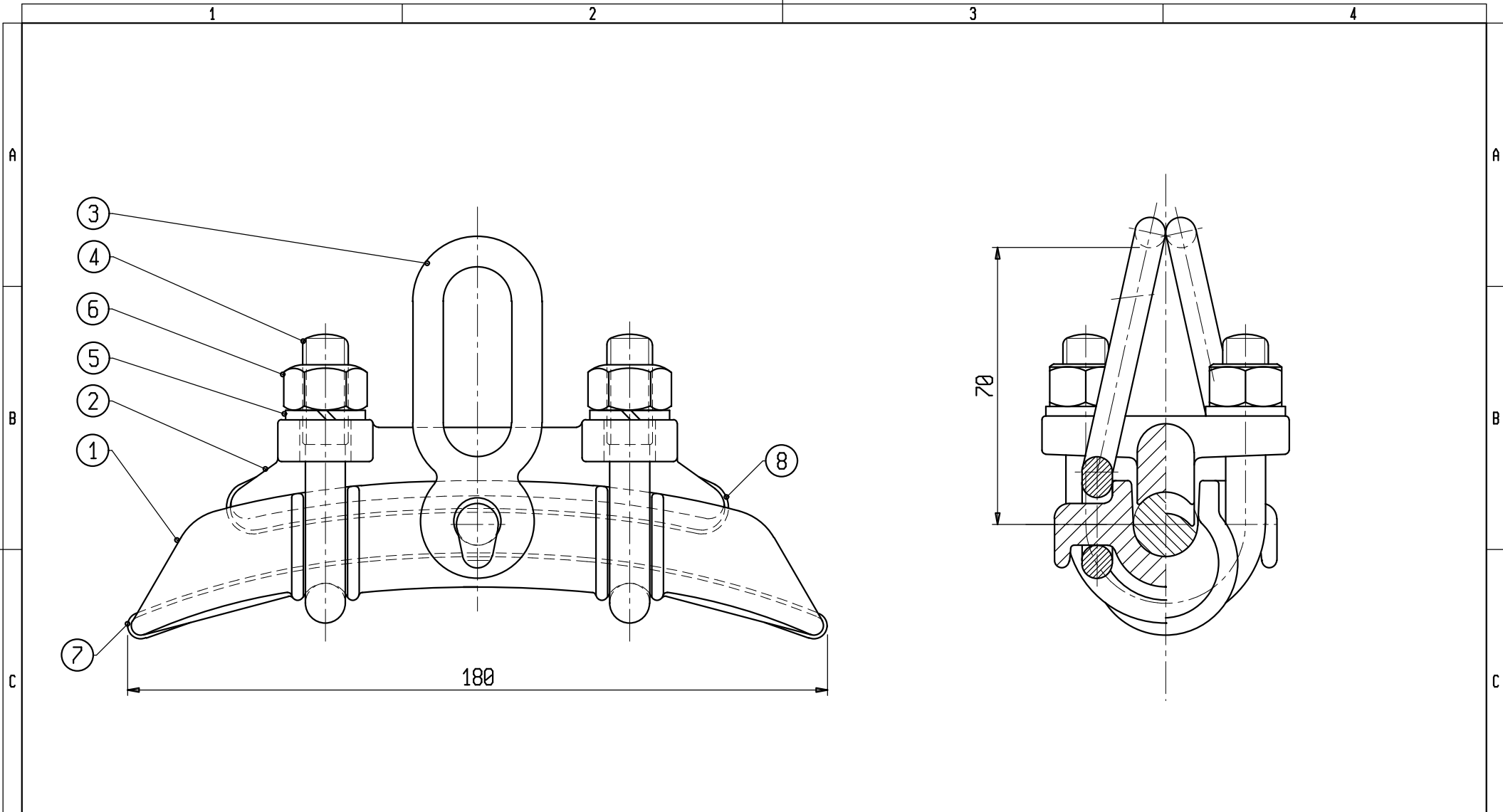
11	KEEPER LINER	6044CU	1	COPPER	
10	CLAMP LINER	6042CU	1	COPPER	
9	HEX. NUT M16	5953	1	STEEL	HOT DIP GALV.D (ISO 1461)
8	PIN A 4x36	802	1	STAINLESS STEEL	
7	WASHER 18x30	776	1	STEEL	HOT DIP GALV.D (ISO 1461)
6	BOLT M16x80	5952	1	STEEL	HOT DIP GALV.D (ISO 1461)
5	SPRING WASHER A 13	4430	4	STAINLESS STEEL	
4	HEX. NUT M12	3288	4	STAINLESS STEEL	
3	U-BOLT M12x65	3290	2	STEEL	HOT DIP GALV.D (ISO 1461)
2	KEEPER	LS 2897	1	STEEL	HOT DIP GALV.D (ISO 1461)
1	SUSPENSION CLAMP	LS 1001 BIS	1	CAST IRON	HOT DIP GALV.D (ISO 1461)
ITEM	DESCRIPTION	DRAWING N°	N° PCS.	MATERIAL	NOTE

DATE	MODIFICATIONS	DRAWER	APPROVED
s.r.l. GORLA MORSETTERIE MILANO TECHNICAL OFFICE		SCALE	
		DRAWER	DATE
SUSPENSION CLAMP WITH LINERS AND BOLT FOR Cu CONDUCTORS \varnothing 9 - 18 mm R= 80 kN		APPROVED	DATE
		DRW. N. LS1001GCB	



6	NUT M12	3288	4	STAINLESS STEEL	
5	SPRING WASHER A 12	4430	4	STAINLESS STEEL	
4	U-BOLT M12x82	4383	2	STEEL	HOT DIP GALV.D (ISO 1461)
3	SHACKLE	LS 5224	2	STEEL	HOT DIP GALV.D (ISO 1461)
2	KEEPER	LS 3107 AC	1	STEEL	HOT DIP GALV.D (ISO 1461)
1	CLAMP	LS 4540 ACBIS	1	STEEL	HOT DIP GALV.D (ISO 1461)
ITEM	DESCRIPTION	N° DRG.	N° PCS.	MATERIAL	NOTE

N.	DATE	UPDATES	DRAWN	APPROVED
s.r.l. GORLA		SUSPENSION CLAMP FOR Cu COND. ϕ 10 - 16 mm BREAKING LOAD = 50 kN	SCALE	
MORSETTERIE MILANO			DRAWN	DATE
TECHNICAL OFFICE			APPROVED	DATE
		DRG. N.	LS 4540AC	



8	KEEPER LINER	6044CU	1	COPPER	
7	CLAMP LINER	6043CU	1	COPPER	
6	NUT M12	3288	4	STAINLESS STEEL	
5	SPRING WASHER A 12	4430	4	STAINLESS STEEL	
4	U-BOLT M12x82	4383	2	STEEL	HOT DIP GALV.D (ISO 1461)
3	SHACKLE	LS 5224	2	STEEL	HOT DIP GALV.D (ISO 1461)
2	KEEPER	LS 3107 AC	1	STEEL	HOT DIP GALV.D (ISO 1461)
1	CLAMP	LS 4540 ABI	1	STEEL	HOT DIP GALV.D (ISO 1461)
ITEM	DESCRIPTION	N° DRG.	N° PCS.	MATERIAL	NOTE

N.	DATE	UPDATES	DRAWN	APPROVED
s.r.l. GORLA MORSETTERIE MILANO TECHNICAL OFFICE			SUSPENSION CLAMP WITH LINERS FOR COND. Cu Ø10 - 16mm	
			SCALA DRAWN DATE APPROVED DATE DRG. N. LS 4540AG	